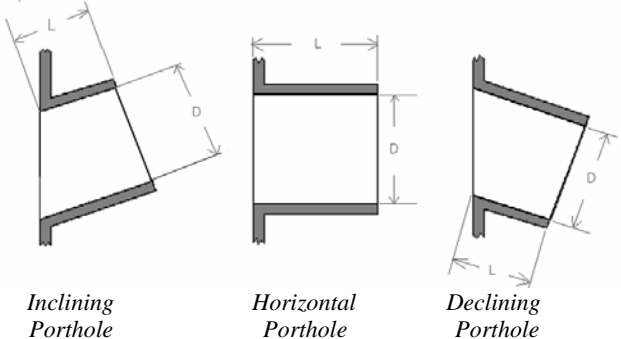


AptiPort® Sampling Valve Interactive Configuration Form

This form can be filled out interactively if you are using Adobe Acrobat 5.0 or later. If you complete it interactively, make sure you save the completed form with a new name using the “Save as” or “Save a copy” options on the File menu. Send each completed form to your sales representative or to sales@pharmenta.com. Alternatively, print this form and fill out by hand and fax to your sales representative or to (609) 452-7127. Please complete a separate form for each configuration. Complete all items on both pages.

Reference Quote/Order/PO #: _____

Date: _____

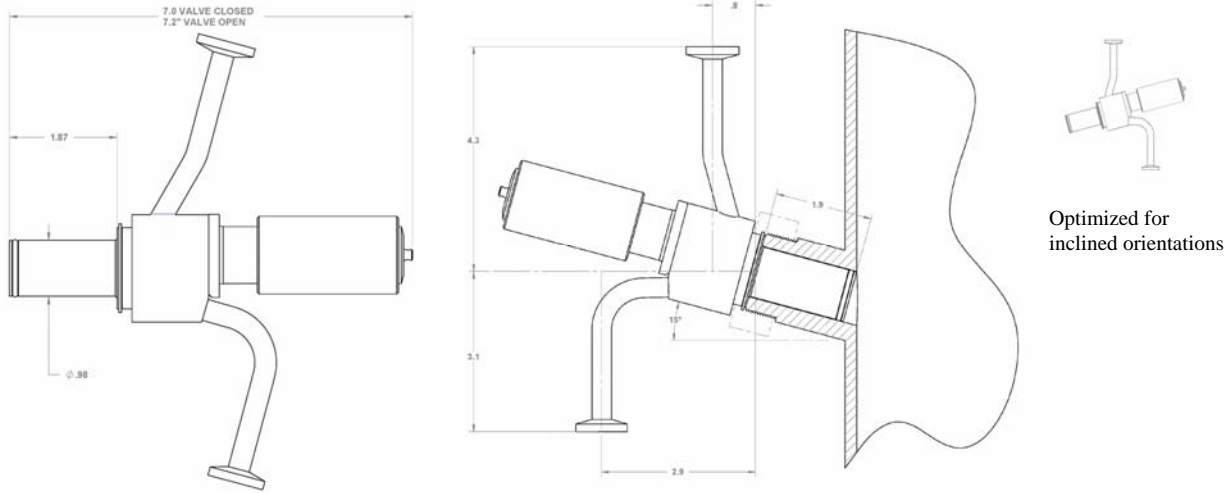
Contact Information	
Company:	
Contact Name:	
Street Address:	
City:	State:
Postal Code:	Country:
Phone:	Fax:
Email:	
Valve Configuration	
1. Number of AptiPort® valves configured exactly as described on this form: _____ units	Figure A: Porthole diameter and length measurement points for various porthole configurations.
2. D=Porthole Diameter (See Fig. A) (check one): <input type="checkbox"/> 3/4 inch (19 mm) <input type="checkbox"/> 1.0 inch (25 mm)	D=Porthole Diameter. L=Effective Porthole Length
3. For mounting flush with tank wall, provide L=Effective Porthole Length (Shortest tangent length of internal bore) (See Figure A): _____ inches / mm	
4. Body Type (check one): <input type="checkbox"/> Standard <input type="checkbox"/> Insulated	7. Body O-Ring Material (check one): <input type="checkbox"/> EPDM <input type="checkbox"/> Silicon <input type="checkbox"/> Viton®
5. Actuator (Check one): <input type="checkbox"/> Manual handwheel <input type="checkbox"/> Instant open lever handle (Manual) <input type="checkbox"/> Auto-actuator (pneumatic)	8. Inlet End Connection (check one): <input type="checkbox"/> 1/2" tri-clamp <input type="checkbox"/> Buttweld end <input type="checkbox"/> Custom. Specify: _____
6. Diaphragm Material (check one): <input type="checkbox"/> EPDM <input type="checkbox"/> Silicon <input type="checkbox"/> Viton®	9. Outlet End Connection (check one): <input type="checkbox"/> 1/2" tri-clamp <input type="checkbox"/> Buttweld end <input type="checkbox"/> Custom. Specify: _____
10. Interior Surface Finish: <input type="checkbox"/> < 25 Ra <input type="checkbox"/> < 20 Ra <input type="checkbox"/> Electropolish <input type="checkbox"/> Custom. Specify: _____	11. Exterior Surface Finish: <input type="checkbox"/> < 25 Ra <input type="checkbox"/> < 20 Ra <input type="checkbox"/> Electropolish <input type="checkbox"/> Custom. Specify: _____

(Continued...)

12. Inlet/Outlet Arm Configuration (check one)

- Optimized inlet/outlet orientation. Optimized for common inclined sensor portholes. (See Figure B below.)

Figure B



- Universal inlet/outlet orientation. Works for all porthole orientations from declining to inclining. (See Figure C below.)

Figure C

