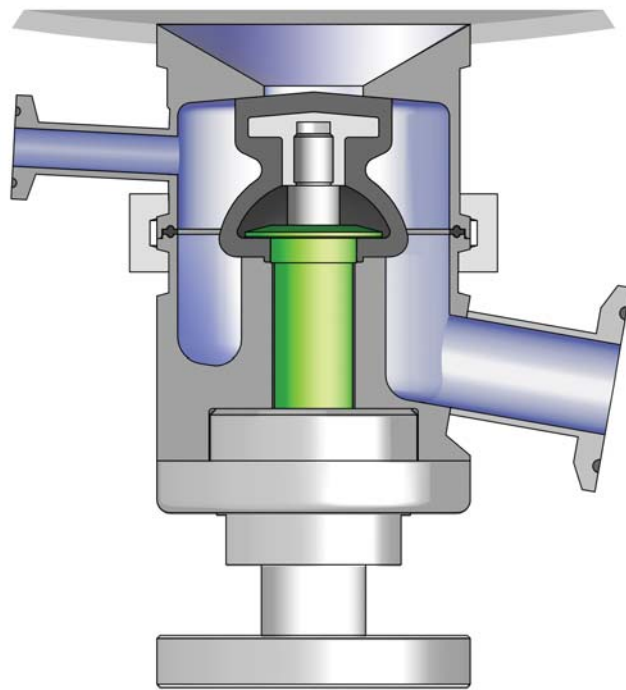


Clean.



Pharmenta® SumpFree™ Radial Tank Bottom Valve

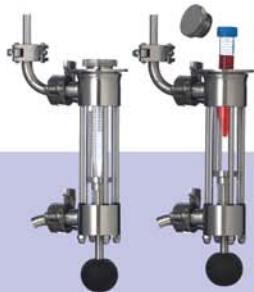
No bottom crevices. No bottom seams. No pooling area. Just one smooth, downward sloping solid base for complete passive drainage. Simple...but effective.

See us at
Interphex 2004
Booth #1431



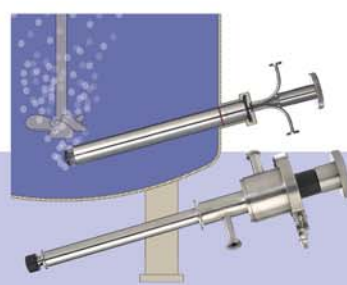
AptiPort® Sampling Valve

The only sampling valve that self-drains from inclined sensor ports.



SampleSafe™ Collector

Economically capture and seal samples in sterile isolation.



SIPTube® Valve

Deadspace-free material supply or withdrawal deep within your process. CIP/SIP capable. Optional insulation for heat sensitive uses.



SumpFree™ Radial TBV

Patented, pedestal mounted diaphragm with inverted perimeter seal eliminates bottom wall seams and pooling areas. Solid, pitched bottom wall for complete passive drainage.



Write us at answers@pharmenta.com, visit www.pharmenta.com or call 1-888-765-7838 (or 609-919-6370.)

© 2004 Pharmenta Inc. Pharmenta, SumpFree, AptiPort, SIPTube and SampleSafe are trademarks of Pharmenta, Inc. or NL Technologies, Ltd. Pharmenta products are covered by US and International patents and patents pending.